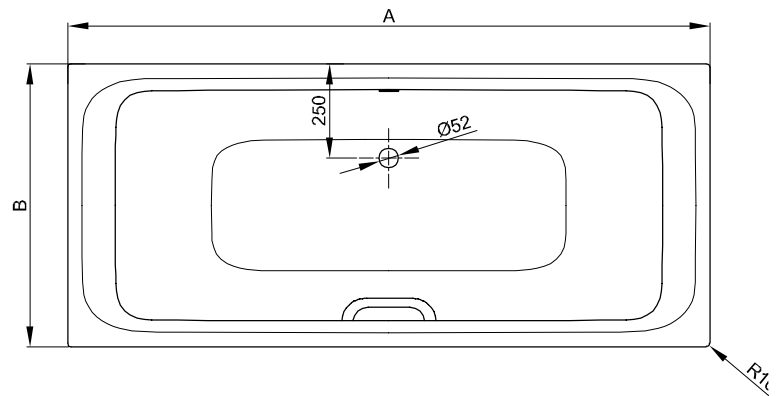


BetteSelect Duo



Information

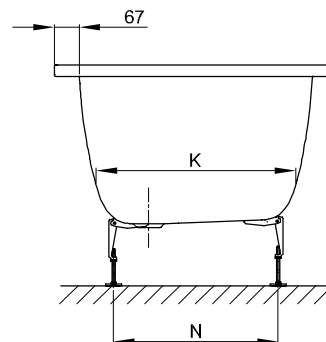
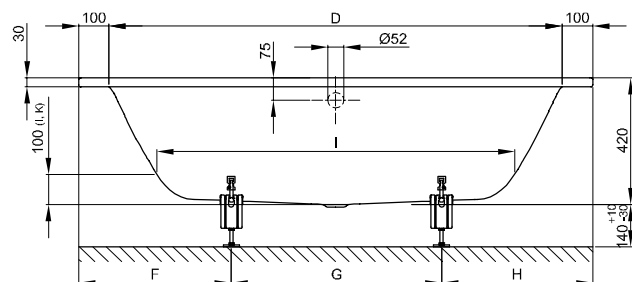
For professional installation we recommend the use of the original bath feet B23-1500.

If the bath is to be undermounted, template information can be provided.

Scope of delivery

Including noise-reducing pads.

Design: Tesseraux + Partner



Dimensions

article no.	dimensions in mm	A	B	D	F	G	H	I	K	N	volume*
3472	1700 × 750 × 420	1700	750	1500	500	700	500	1185	520	435	134 litre
3473	1800 × 800 × 420	1800	800	1600	480	840	480	1285	570	485	170 litre

*Water content less 70 litres (for human displacement).