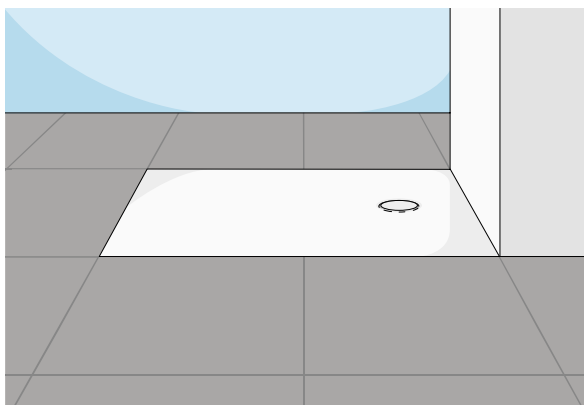


# Sectional drawings

## BetteFlat with BetteSimple Fix

**BETTE**

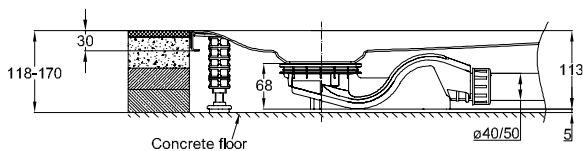


shower waste

Flush-to-floor installation

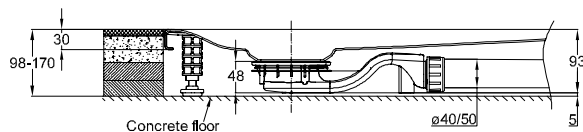
**BetteSolid 50**

B598-+  
0,6 l/s  
with side outlet,  
water seal height 50 mm,  
as per EN 274



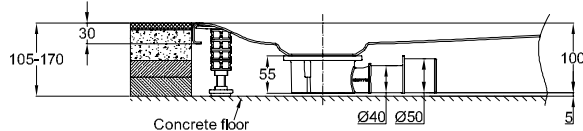
**BetteSolid 30**

B597-+  
0,6 l/s  
with side outlet,  
water seal height 30 mm



**BetteCompact+**

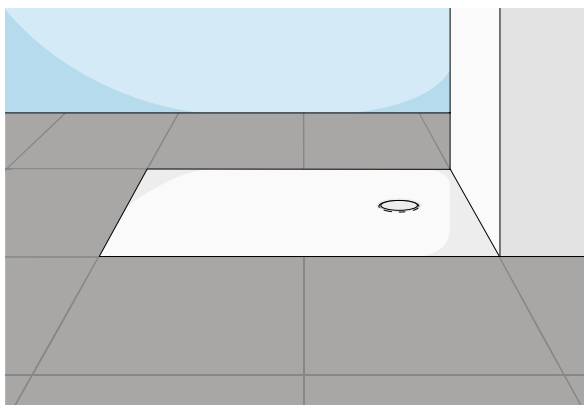
B658-+  
0,5 l/s  
with side outlet,  
water seal height 50 mm  
as per EN 274 in accordance with DE25QPLO 002



# Sectional drawings

## BetteFlat with Universal installation system

**BETTE**

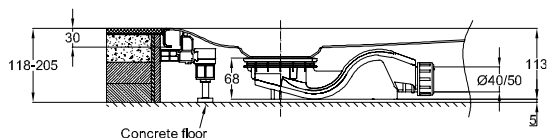


shower waste

Flush-to-floor installation

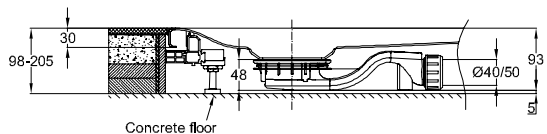
### BetteSolid 50

B598-+  
0,6 l/s  
with side outlet,  
water seal height 50 mm,  
as per EN 274



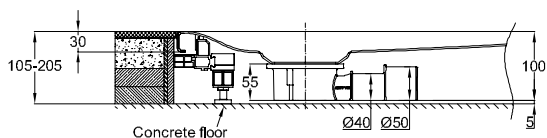
### BetteSolid 30

B597-+  
0,6 l/s  
with side outlet,  
water seal height 30 mm



### BetteCompact+

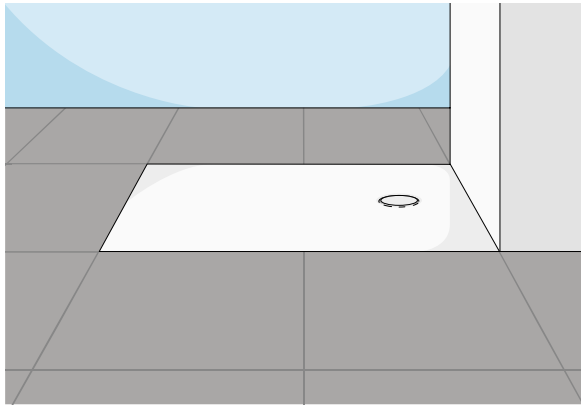
B658-+  
0,5 l/s  
with side outlet,  
water seal height 50 mm  
as per EN 274 in accordance with DE25QPLO 002



# Sectional drawings

## BetteFlat with Basic installation system

**BETTE**

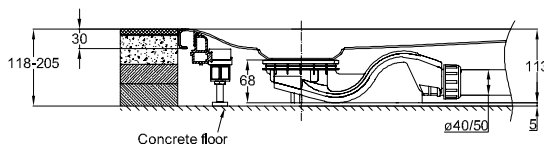


shower waste

Flush-to-floor installation

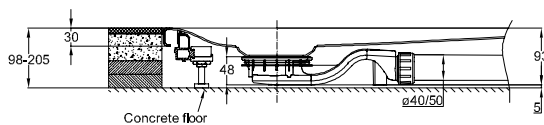
### BetteSolid 50

B598-+  
0,6 l/s  
with side outlet,  
water seal height 50 mm,  
as per EN 274



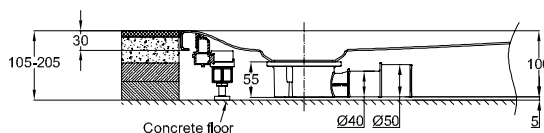
### BetteSolid 30

B597-+  
0,6 l/s  
with side outlet,  
water seal height 30 mm



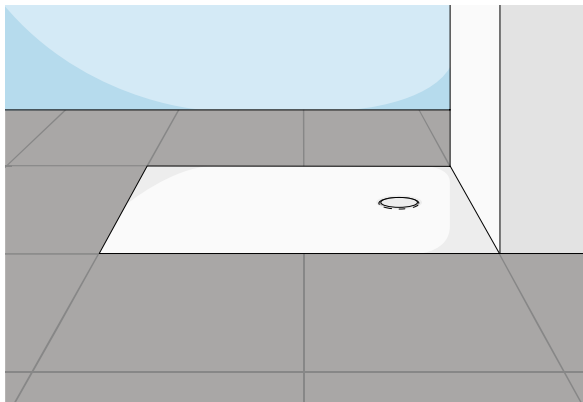
### BetteCompact+

B658-+  
0,5 l/s  
with side outlet,  
water seal height 50 mm  
as per EN 274 in accordance  
with DE25QPLO  
002



# Sectional drawings BetteFlat with BetteLevel

**BETTE**

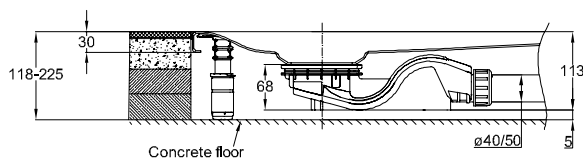


shower waste

Flush-to-floor installation

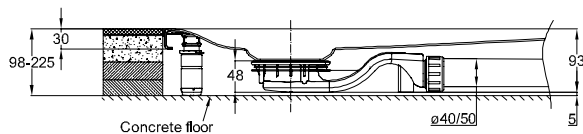
## BetteSolid 50

B598-+  
0,6 l/s  
with side outlet,  
water seal height 50 mm,  
as per EN 274



## BetteSolid 30

B597-+  
0,6 l/s  
with side outlet,  
water seal height 30 mm



## BetteCompact+

B658-+  
0,5 l/s  
with side outlet,  
water seal height 50 mm  
as per EN 274 in accordance with DE25QPLO 002

